

Ratio-Selector

RS 818



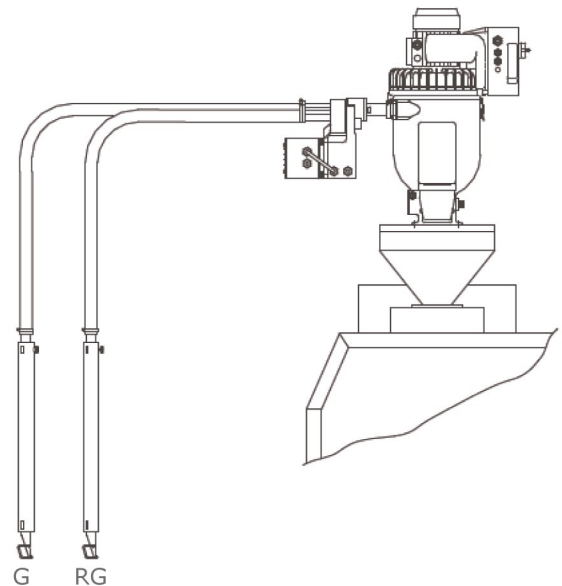
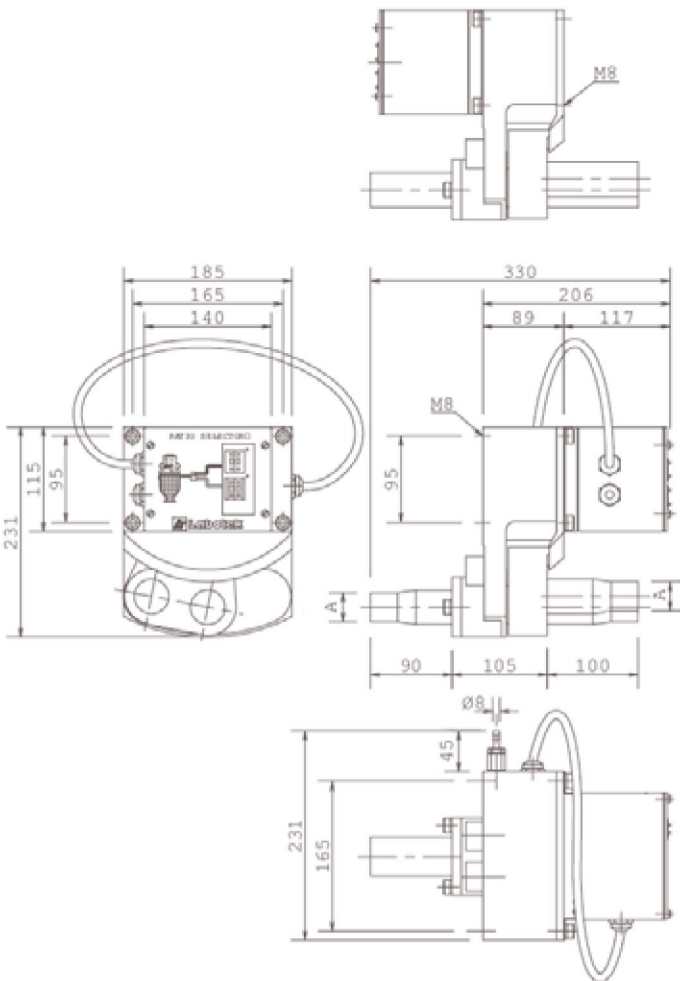
Ratio-Selector RS 818

Adjustable, 2-Way Proportioning Valve for Hopper Loaders.

- Simple to install
- Conveyance of 2 materials
- Individual adjustment of conveying intervals for valve 1 and valve 2
- Simple mixing technique for regrind usage
- Connected to the control of the Con-Evator
- Cast aluminium construction, wear parts in stainless steel AISI 304



Principle drawing RS 818:



Electric control - easy and simple to operate.

	101164	100553	100570
A	Ø 32 mm	Ø 38 mm	Ø 50 mm

Ihr Ansprechpartner:



ABraWi
IHR AUTOMATIONSPARTNER

Hedwigstraße 5
Tel. 02267/829254
E-Mail: info@abrawi.de

51688 Wipperfurth
Fax: 02267/829269
www.ABraWi.de

Labotek A/S

Stroebjergvej 29, DK-3600 Frederikssund
Tel +45 4821 8411 | Fax +45 4821 8000
info@labotek.dk | www.labotek.com

